

WOLF x 10



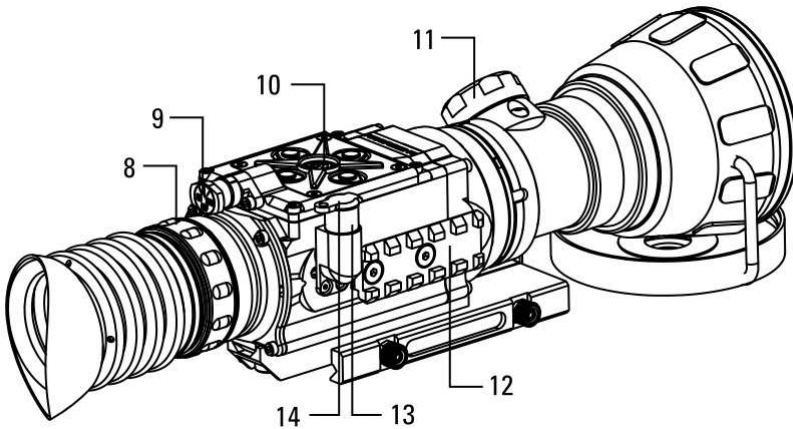
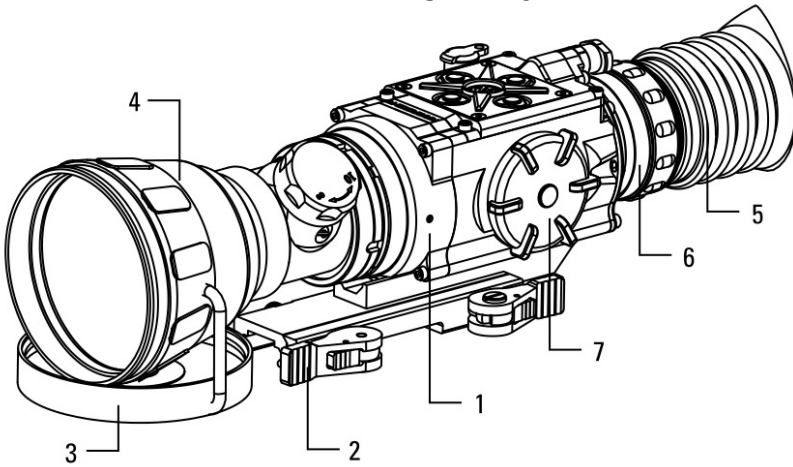
User Manual

Westfalen- Jagd und Optik GmbH Co.KG

Auf der Pelzerwiese 4

23730 Neustadt in Holstein

WOLF x10

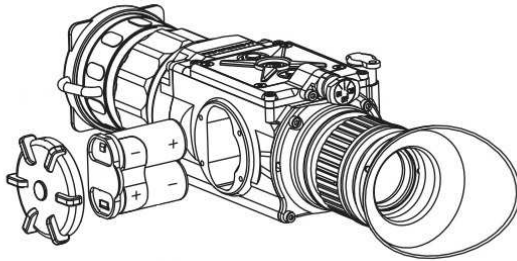


Bestandteile

- | | |
|------------------------|-----------------------|
| 1. Body | 8. Diopter adjustment |
| 2. Quick release mount | 9. Switch |
| 3. Objective cover | 10. Control panel |
| 4. Objective | 11. Focusing knob |
| 5. Rubber eyecup | 12. Rail |
| 6. Eyepiece | 13. Accessory port |
| 7. Battery compartment | 14. Port cover |

1. Handling

Install the batteries in the battery cassette considering polarity signs depicted on plastic. The unit uses 2x CR123 3V Batteries. Insert the battery cassette as shown on the picture.



Before using the unit, make sure that the optics is clean. Feel free to clean it carefully with appropriate for coated optics detergent or lens tissue.

2. FUNCTION

2.1 Pull out switch

There are 3 switch positions.

To turn the “ON” and “STB” mode you must carefully pull out the switch before turning it left or right.

Returning to “OFF” mode can be done simply turning of the switch knob.



ON – Activates the device

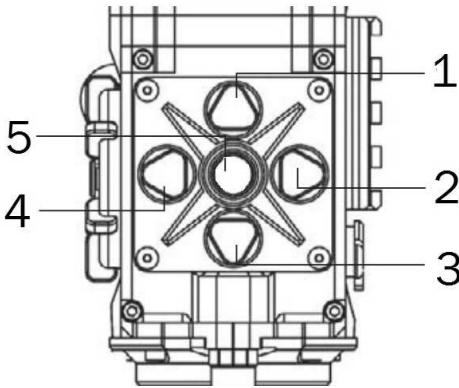
STB – Stand by. The unit can be now switched on\off with the help of remote control. *Caution: Never leave the switch on this position for longer than needed (the battery will be empty within 24 hours).*

OFF – Switches the unit off

2.2 Focusing and adjustment

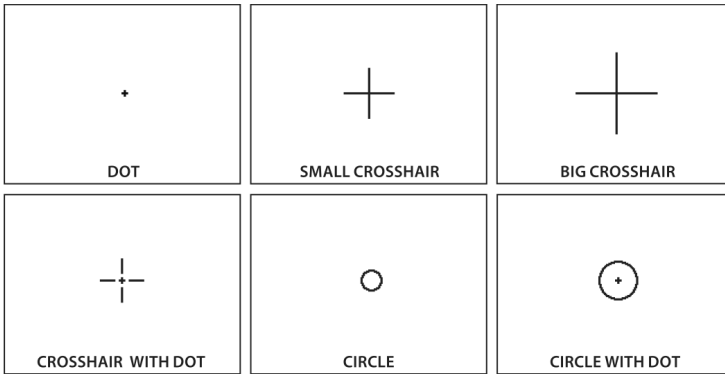
To adjust the unit to your eyesight turn the diopter adjustment ring (8) slowly until you get the best view. For focusing your unit at a distance, simply turn the focusing knob (11) until you get to the position with optimal image sharpness.

2.3 Bedienungspanel



key	Short press
1	Display brightness +
2	Reticle inversion
3	Display brightness -
4	Reticle type

When pressing button 4 the user can choose between 6 reticle types



ITEM		DRONE PRO 10X	DRONE PRO 15X
Angular Boresight Increment		0.42 MOA 0.12 Mils	0.3 MOA 0.09 Mils
Boresight Increment*		1.2cm / 100m 0.44in / 100yd	0.9cm / 100m 0.32in / 100yd
Measured Windage / Elevation Deflection of the Center of Impact from the Target Center		12 cm / 17cm (for example)	10 cm / 7cm (for example)
Correction Value	Windage	12/1.2≈10 reticle shifts	10/0.9≈11 reticle shifts
	Elevation	17/1.2≈14 reticle shifts	7/0.9≈8 reticle shifts

* To calculate boresight increment value in metric units for a fire range R different from 100m, use the coefficient R/100. At a range of R (in meters), the boresight increment is 1.2×R/100, cm for Wolf x 10 and 0.9×R/100, cm for Wolf x 15.

2.4 Boresight adjustment

While holding down the button (5), push the buttons:- (3)/(1) to shift the reticle in the display up/down, - (4)/(2) to shift the reticle to the right/left, respectively. To reset to zero azimuth and elevation, push the combination of buttons (1+3). The reticle will shift in the display center. The ZERO indication will appear in the bottom left corner of the display. After completing your customization, save your preference by pushing and holding buttons (2) and (4) simultaneously. SAVE should appear in the bottom left corner of the display.

3. CAUTION

- Although the Wolf x 10 is highly resistant to damage from light overload, DO NOT point it, either powered or un-powered, directly at the sun or any other source of high intensity light that the unprotected human eye cannot tolerate (such as welding arc). To prevent exposure to these types of sources, never leave the equipment unsupervised with the objective lens cap removed
- DO NOT force the equipment controls past their stopping points.

4. STORAGE

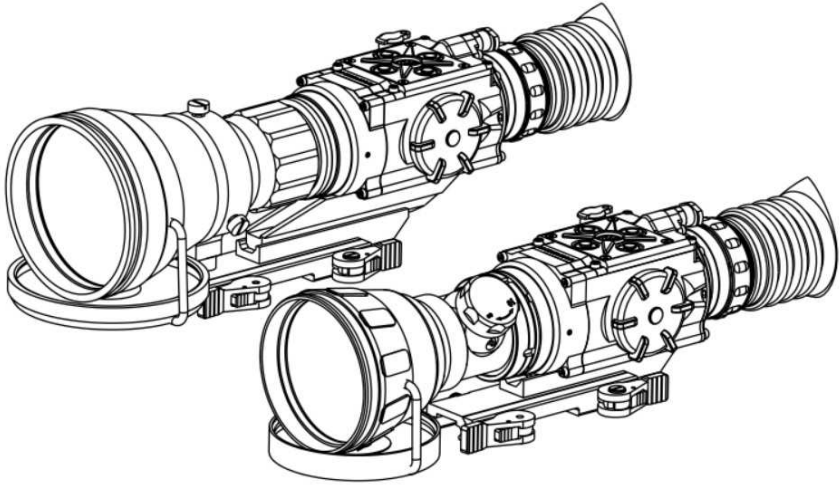
Shut-down the Wolf x 10 as follows:

1. Make sure any setting changes have been saved.
2. Turn off the Wolf x 10.
3. Replace the cap on the objective lens.
4. Disconnect the cable (if applicable).
5. Place the cap on the connector.
6. Dismount the Wolf x 10 from the weapon.
7. Remove the batteries

CAUTION: Do not store the Wolf x 10 with the batteries still installed.

Please be advised that any unauthorized disassembly or modification of device will void the warranty!

WOLF x 10



USER MANUAL

Westfalen- Jagd und Optik GmbH Co.KG
Auf der Pelzerwiese 4
23730 Neustadt in Holstein